

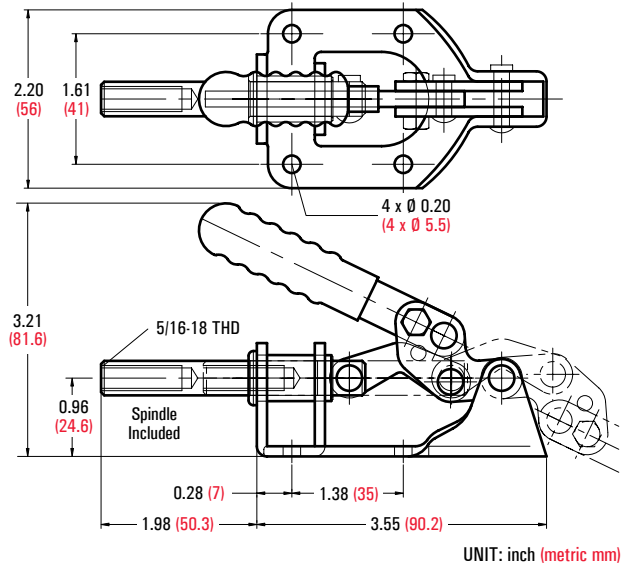
## 302-F & 302-FSS *Popular!*

- Cross Ref.: DE-STA-CO Model 605
- Holding Capacity: 300 lbs. (136 kg)
- Weight: 0.66 lb. (300 g)
- Handle opens: 180°
- Plunger stroke: 1.25" (32 mm)
- Spindle supplied: GH-SA-56200
- **Stainless Steel** model GH-302-FSS available

*The best selling mid-size push-pull clamp. Accepts all 5/16-18 spindles.*



GH-302-F

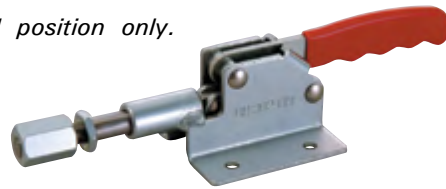


**UNIQUE**

## 302-D & 30282 *REVERSE ACTION*

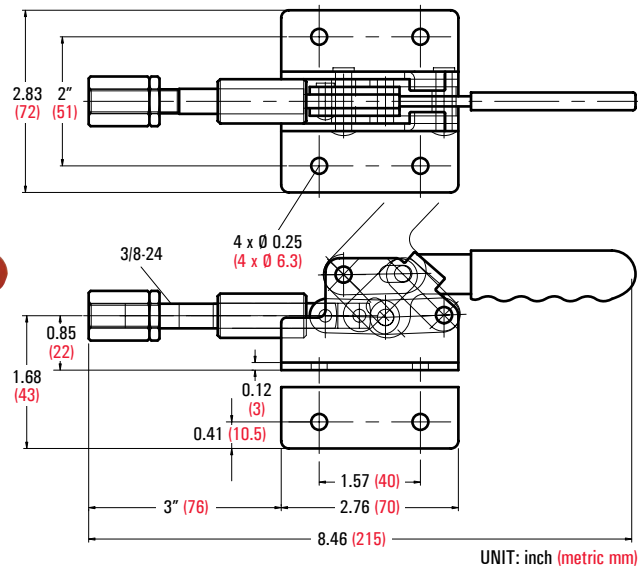
- Holding Capacity: 350 lbs. (160 kg)
- Weight: 1.00 lb. (454 g)
- Handle opens: 45°
- Plunger stroke: 0.47" (12 mm)
- **Stainless Steel** model GH-302-FSS available

*Plunger locks in extended position only.*



GH-302-D

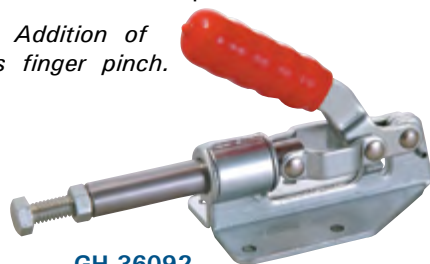
Model	Description
GH-302-D	Flanged Base
GH-30282	Straight Base



## 36092

- Cross Ref.: DE-STA-CO Model 609
- Holding Capacity: 400 lbs. (180 kg)
- Weight: 0.85 lb. (397 g)
- Handle opens: 180°
- Plunger stroke: 1.25" (31.8 mm)
- Spindle supplied: GH-SA-56200
- Accepts all 5/16-18 diameter spindles

*Similar to GH-302-F. Addition of safety pins minimizes finger pinch.*



GH-36092

